

CREATE
YOUR STYLE
with SWAROVSKI ELEMENTS

DESIGN PROJECT













MOTHER'S DAY MIRROR CASE



MOTHER'S DAY MIRROR CASE



SWAROVSKI ELEMENTS

Article	Product Group	Article No.	Amount	Size	Color	Color Code
	Beads	5328	5 pcs.	4 mm	Provence Lavender	283
	Crystal Pearls	5810	5 pcs.	4 mm	Crystal Lavender Pearl	001 524
	Crystal Pearls	5810	5 pcs.	5 mm	Crystal White Pearl	001 650
	Crystal Pearls	5810	1 pc.	6 mm	Crystal Lavender Pearl	001 524
	Crystal Pearls	5810	4 pcs.	6 mm	Crystal Light Grey Pearl	001 616
	Crystal Pearls	5840	1 pc.	8 mm	Crystal Lavender Pearl	001 524
	Crystal Pearls	5840	1 pc.	14 mm	Crystal Lavender Pearl	001 524
	Pendants	6007	14 pcs.	7 x 4 mm	Crystal	001
	Pendants	6007	7 pcs.	7 x 4 mm	Crystal Silver Shade	001 SSHA
	Pendants	6010	5 pcs.	11 x 5.5 mm	Greige	284
	Pendants	6010	2 pcs.	11 x 5.5 mm	Provence Lavender	283
	Pendants	6010	2 pcs.	13 x 6.5 mm	Crystal	001
	Pendants	6010	2 pcs.	13 x 6.5 mm	Provence Lavender	283

Supplies & Tools

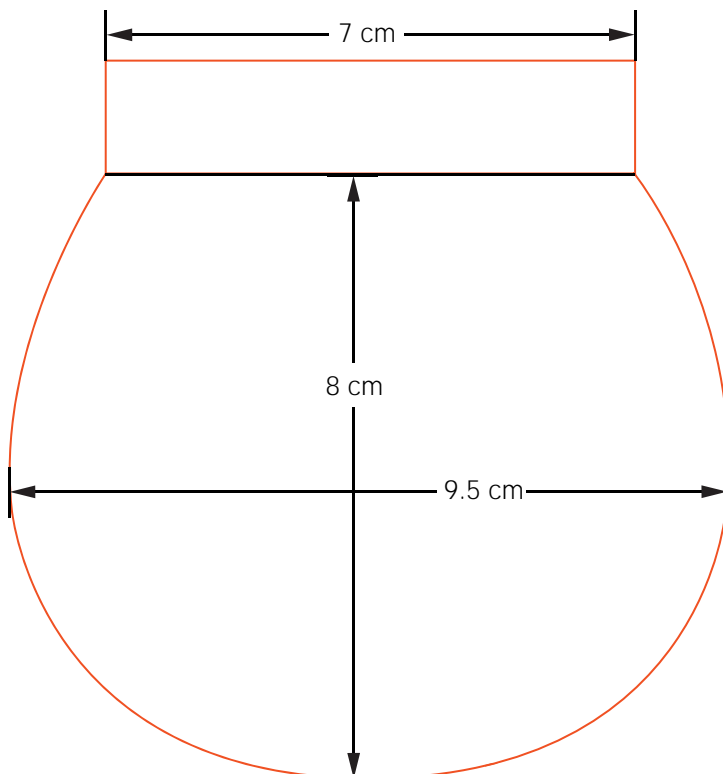
Supplies
 1x Leather, white, 25 x 25 cm
 3 m Nylon thread, transparent, 0.25 mm
 1 spool Sewing silk, white

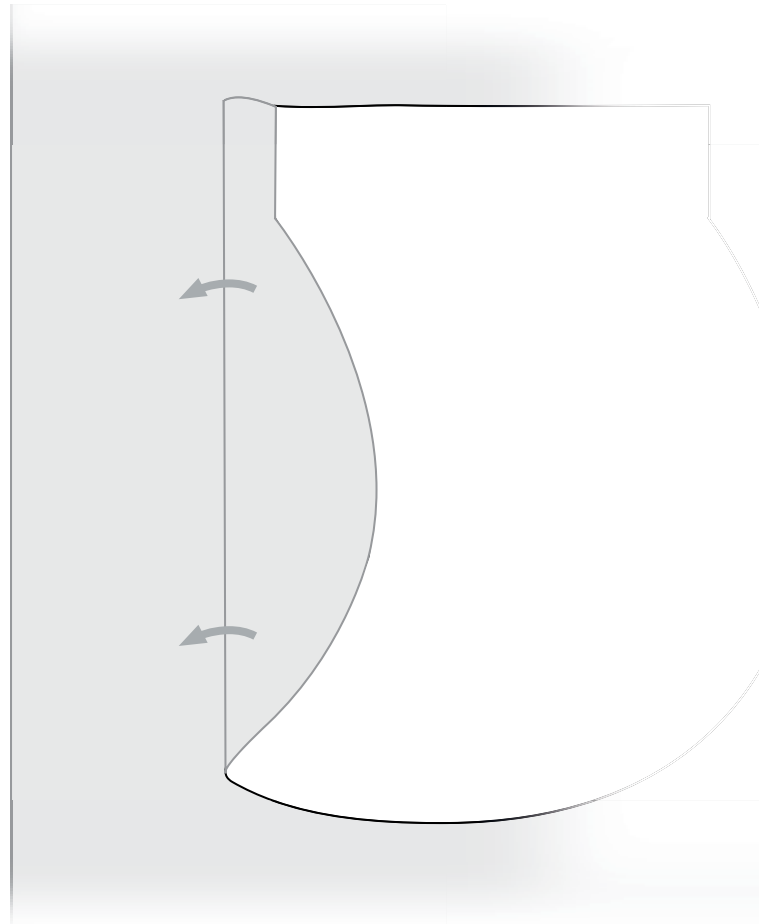
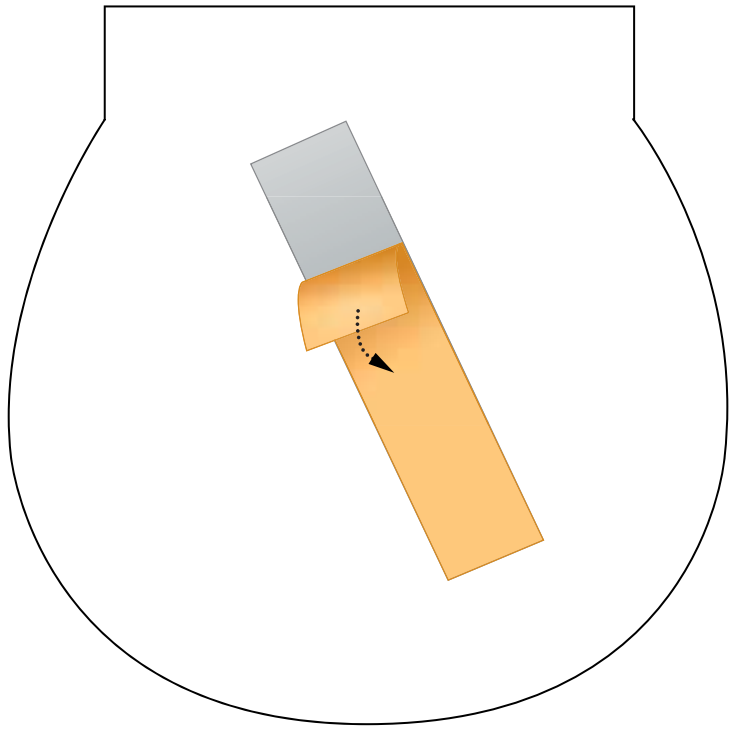
Tools
 Double sided sticky tape
 Fine needle
 Scissors
 Sewing machine
 Sheet of paper, A4

Level of design: BEGINNER

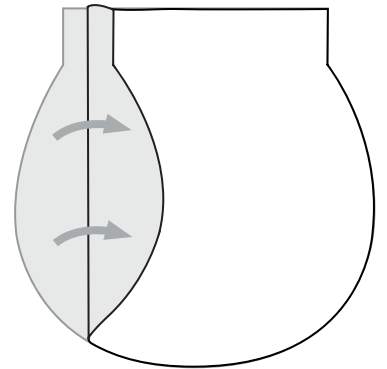
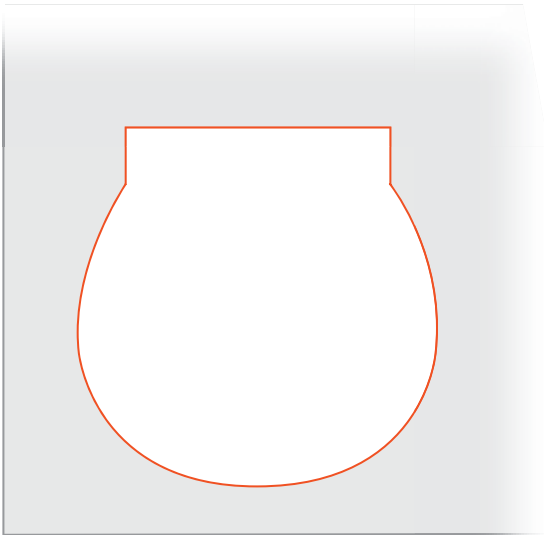
Have also a look at the **text instruction** at the last page!

STEP 1

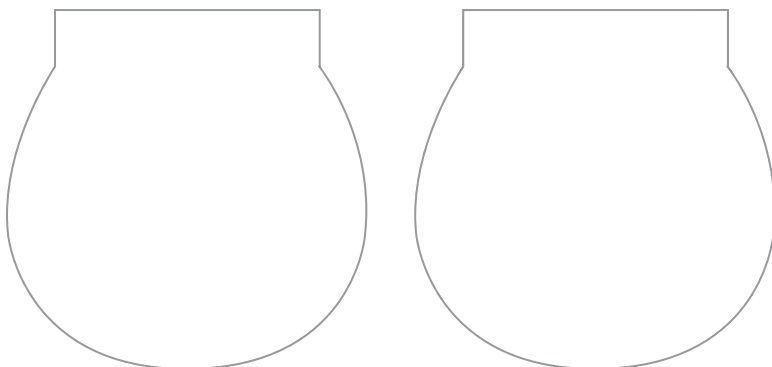




STEP 2

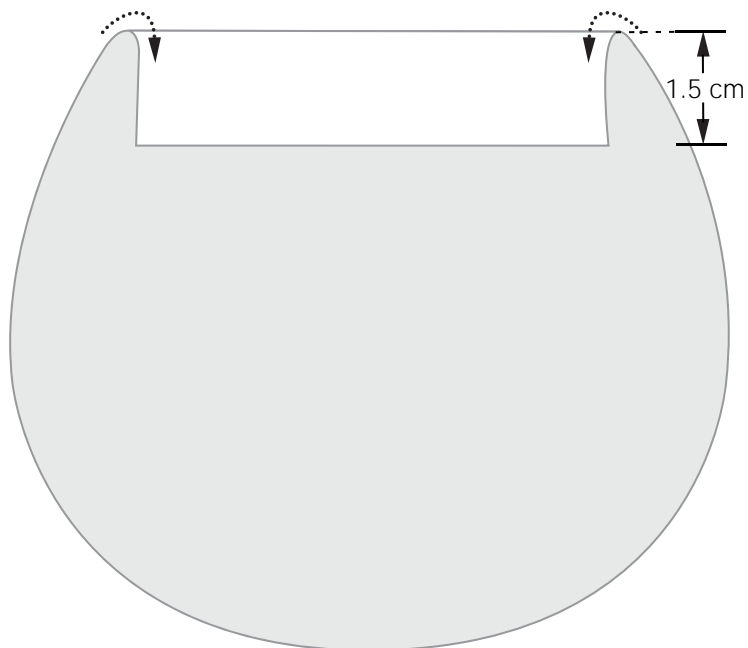


Repeat step x1:

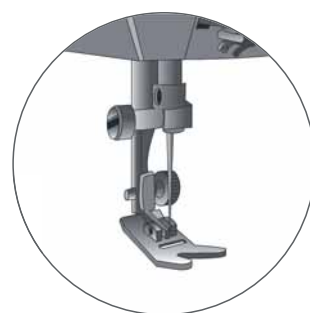
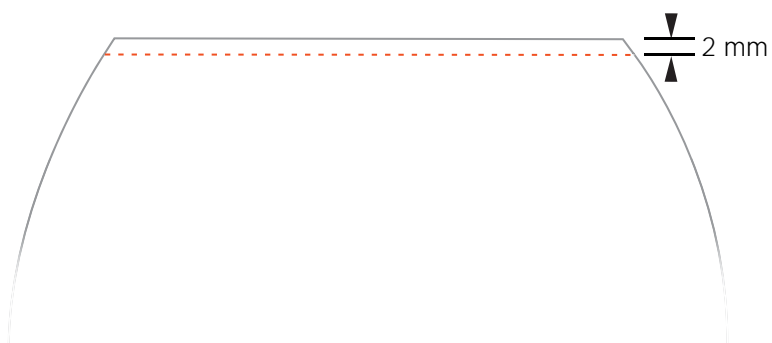


Scale 1:2

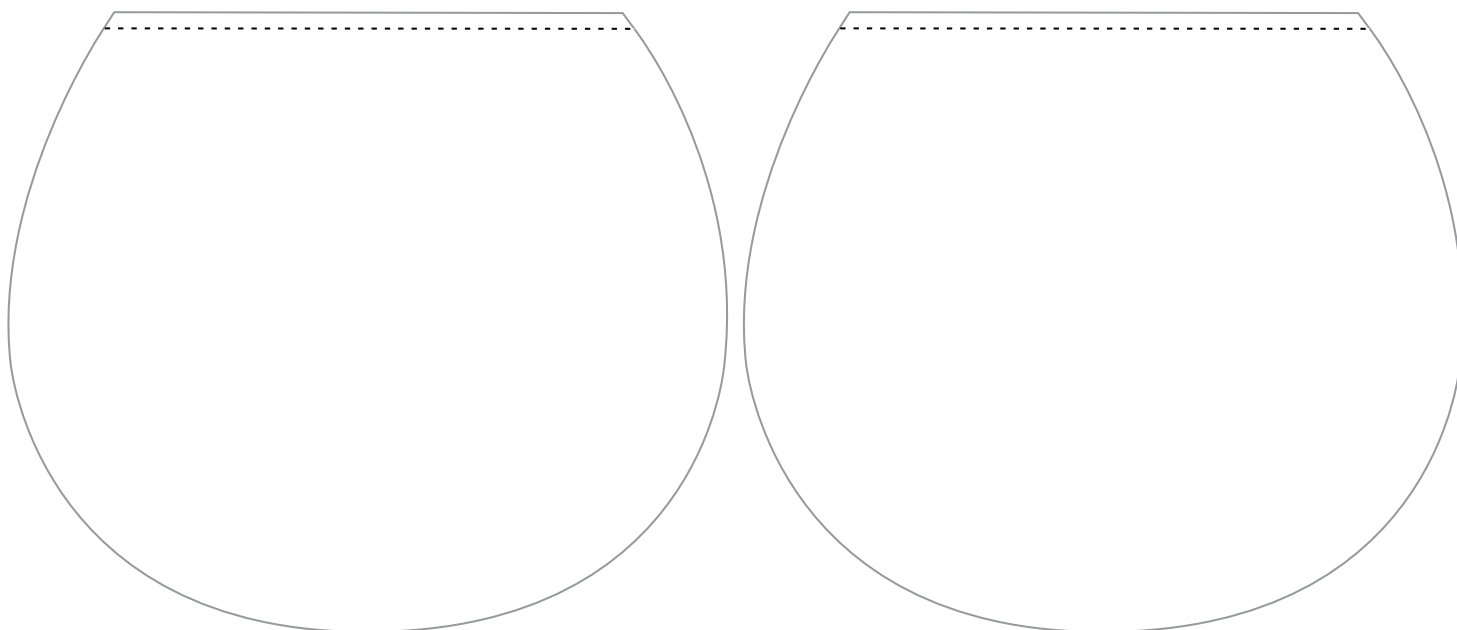
STEP 3



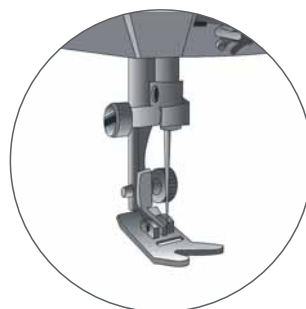
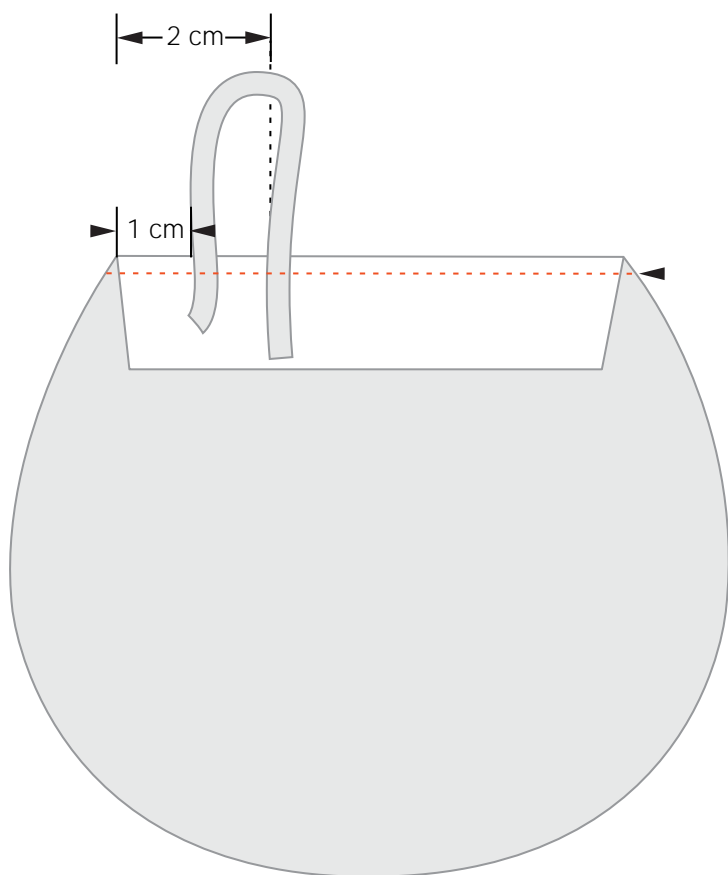
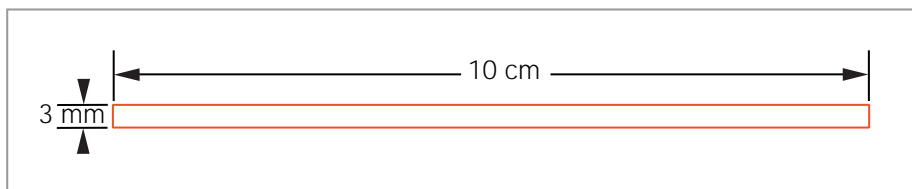
Scale 1:1



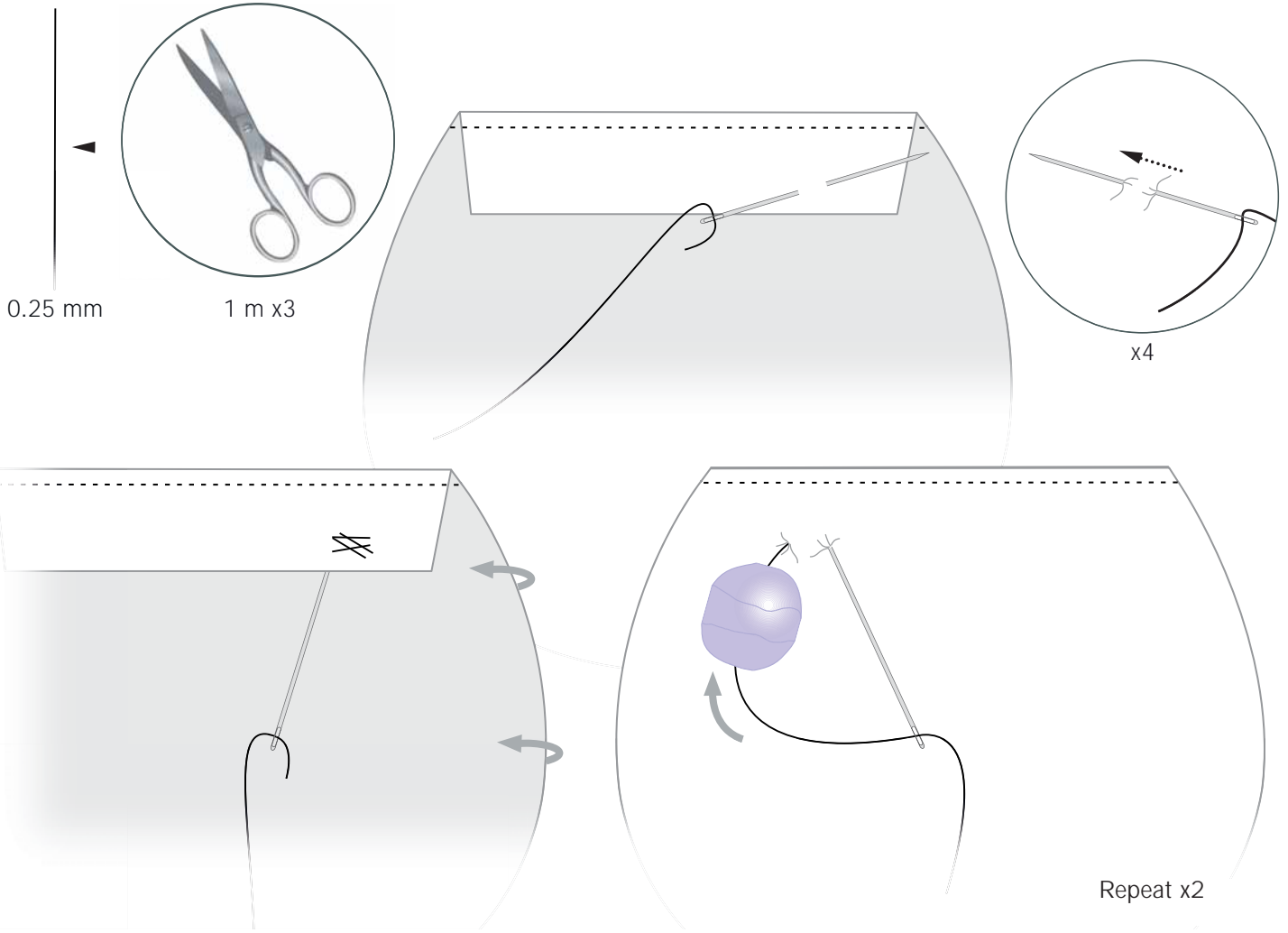
Repeat step x1:



STEP 4

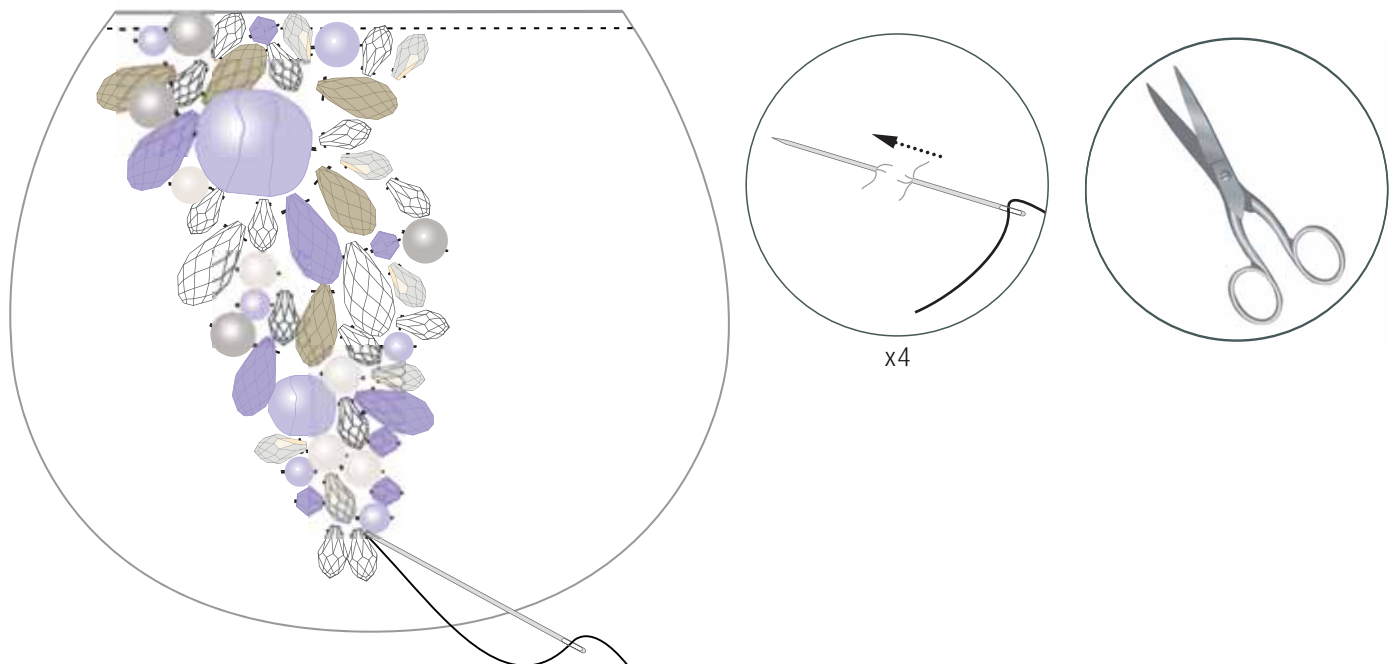


STEP 5

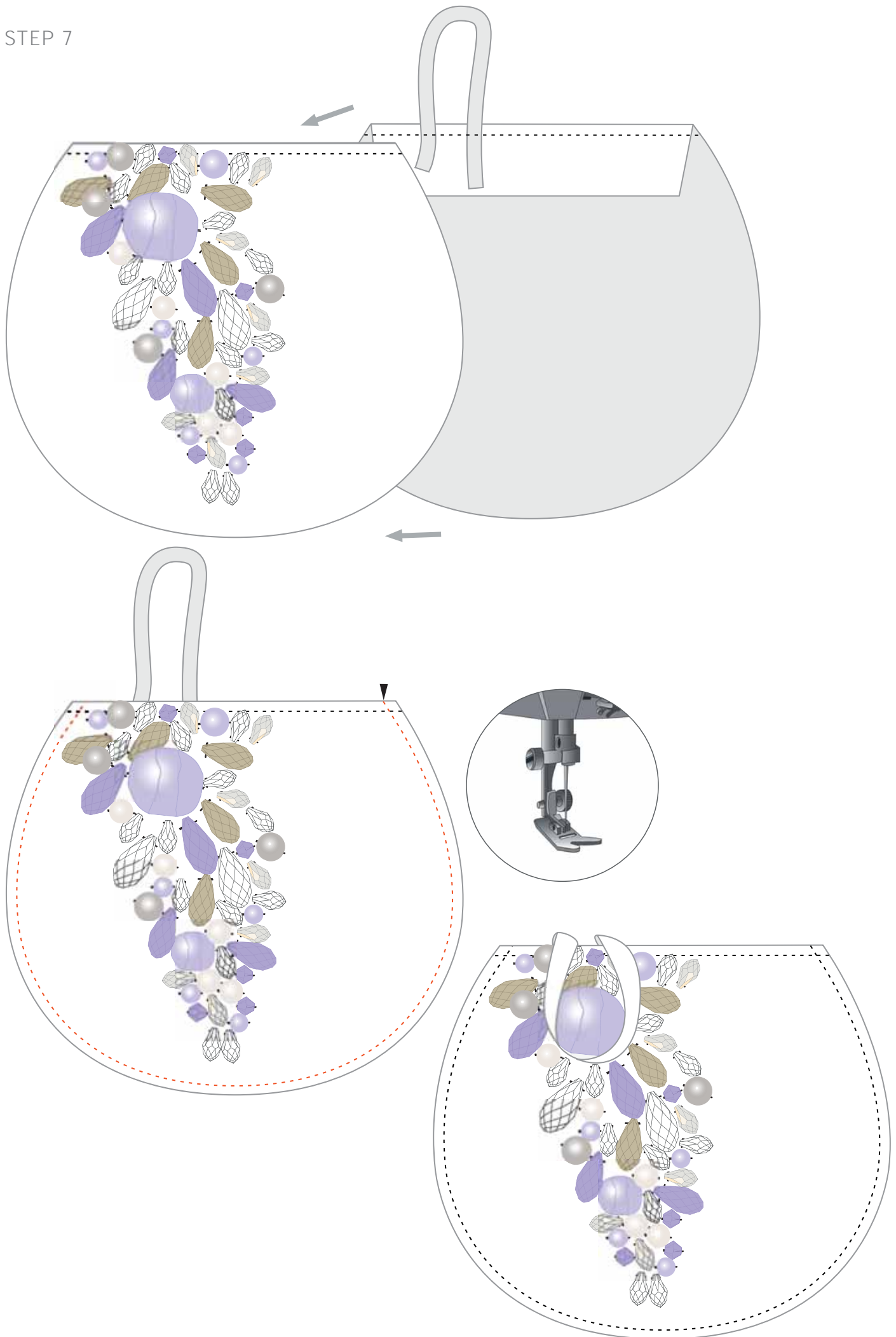


STEP 6

Repeat step 5:



STEP 7



CREATE YOUR STYLE with SWAROVSKI ELEMENTS Design Project

Mother's Day Mirror Case

- STEP 1: Print and cut out the pattern shown in the illustration on a piece of plain paper, it should be exactly according to the mentioned sizes. Put double sided tape behind the pattern and affix it to the back of the leather.
- STEP 2: Cut out a piece of leather according to the pattern and remove the pattern from the leather piece. Repeat this step once again so you have two pieces of leather.
- STEP 3: Fold 1.5 cm of leather over as shown in the illustrations. Sew the two pieces together with a sewing machine with white sewing silk. Repeat this step for the other piece of leather as well.
- STEP 4: Cut out a leather strip of 3 mm x 10 cm. Sew one end of the strip 1 cm from the left edge of the leather. Sew the other end onto the reverse side shown in the illustration.
- STEP 5: Cut three 1 meter pieces of 0.25 mm nylon thread. Sew 4 back stitches at the reverse side of one of the leather pieces and stitch over to the front side. Insert the Crystal Pearl art. 5840 14 mm onto the needle and stitch to the back side. Repeat this twice to attach the Pearl.
- STEP 6: Repeat the above step to attach the other SWAROVSKI ELEMENTS as shown in the illustration. After the last crystal is attached, stitch to the back side and make 4 back stitches, then cut off the rest of the thread.
- STEP 7: Sew the two pieces of leather together with sewing machine as shown in the illustration. To close the purse, pull the leather stripe over the big Crystal Pearl as shown.